

PALAZZANI
Technical sheet:
STANDING BATH-SHOWER MIXER, DISTANCE BETWEEN CENTRES 180mm
WITH SOWER, FLEX AND CONNECTIONS FROM THE FLOOR

TECHNICAL CHARACTERISTICS:

- TESTING PRESSURE 12 BAR
- HOT WATER MARK ON THE LEFT RED
- COLD WATER MARK ON THE RIGHT BLUE

LIMITS OF USE CONFORMING TO THE EUROPEAN EN 817 STANDARD		
PRESSURE	MIN = 0.5 BAR	MAX = 10 BAR
TEMPERATURE		MAX = 90°

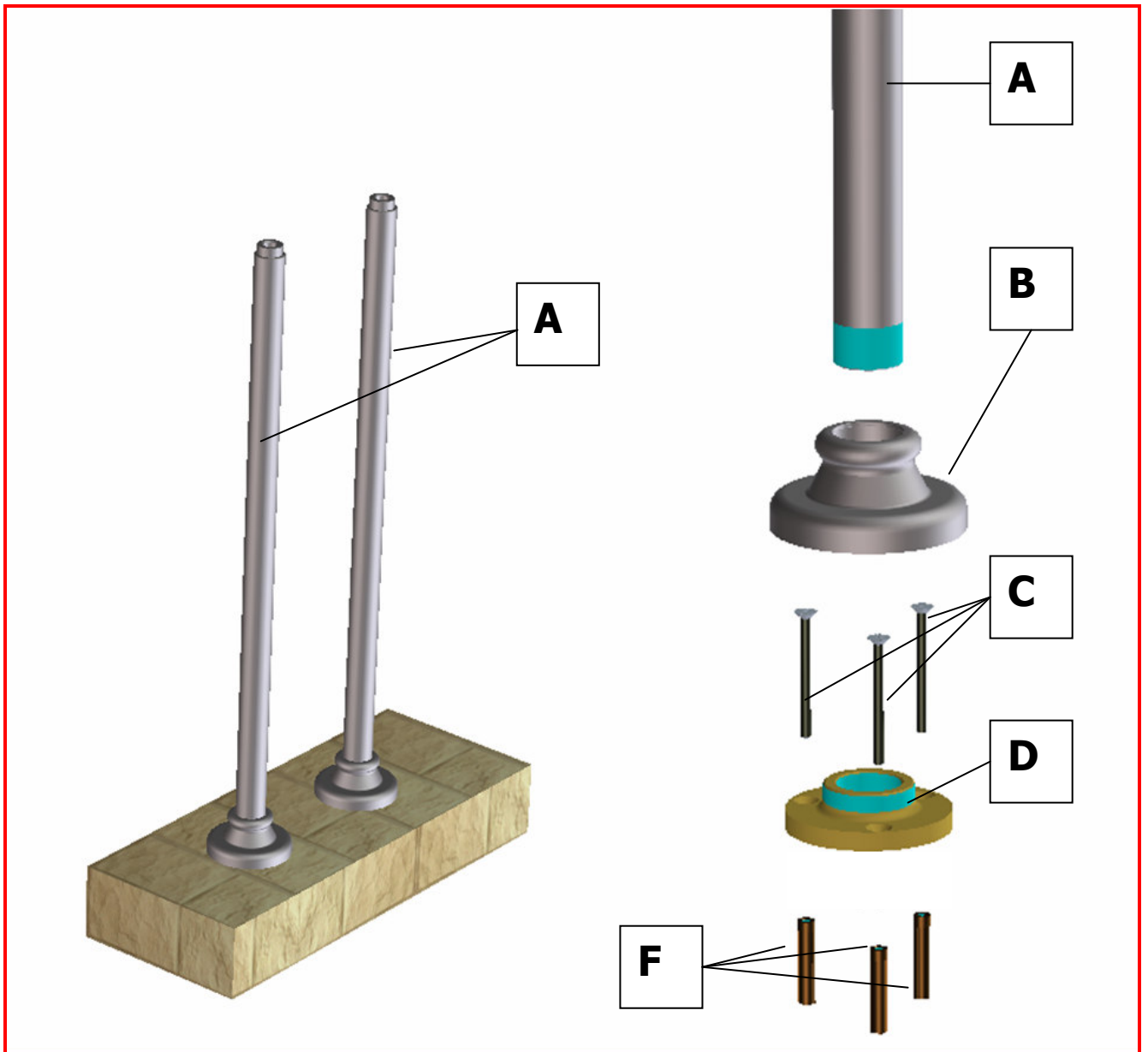
LIMITS OF USE RECOMMENDED BY UNI EN 817 FOR GOOD OPERATION		
PRESSURE	MIN = 1 BAR	MAX = 5 BAR
TEMPERATURE		MAX = 65°

WARNINGS:

- THE SYSTEM MUST BE VERY CAREFULLY DRAINED IN ADVANCE TO AVOID DAMAGE TO THE FITTING OR INSTALLED TECHNICAL DEVICES.
- A CENTRAL FILTER PROTECTS THE SYSTEM FROM IMPURITIES IN THE WATER.
- IN THE CASE OF FEED PRESSURES GREATER THAN 5 BAR, WE RECOMMEND INSTALLING A PRESSURE REDUCER TO PROTECT THE EQUIPMENT.

PROBLEM	POSSIBLE CAUSE	SOLUTION
	HOT AND COLD WATER FEEDS ARE REVERSED	REVERSE FEED PIPES
LOW FLOW CAPACITY	SYSTEM PRESSURE TOO LOW OUTPUTS OBSTRUCTED IMPURITIES CLOGGING CARTRIDGE INPUT HOLES INPUT FILTERS CLOGGED	CHECK THE SYSTEM CLEAN AERATOR, SHOWERHEAD, ACCESSORIES DISASSEMBLE THE CARTRIDGE AND CLEAN OR REPLACE IT CLEAN INPUT FILTERS
COLD WATER ONLY	THE FEEDS ARE REVERSED BOILER FAILURE	REVERSE FEED PIPES CHECK SYSTEM
DIFFICULT TEMPERATURE REGULATION	HOT WATER TEMPERATURE TOO LOW LARGE DIFFERENCE BETWEEN FEED PRESSURES	CHECK THE HOT WATER SUPPLY BALANCE THE FEED PRESSURES
LEAKS TO THE OUTPUT	GASKET SEALS DAMAGED DIRT BETWEEN SEAL DISKS CERAMIC DISKS SEVERELY DAMAGED BY IMPURITIES	CHECK THE GASKET SEALS REPLACE THE CARTRIDGE REPLACE THE CARTRIDGE
LEAKS BETWEEN CARTRIDGE AND BODY	GASKET SEAL DIRTY OR DAMAGED LOCKNUT HOLDING CARTRIDGE LOOSE	CLEAN OR REPLACE GASKET SEALS TIGHTEN THE LOCKNUT
SHOWER HEAD LEAKS WHEN WATER IS COMING OUT OF THE MOUTH LEVER LOOSE	IMPURITIES ON THE DEVIATOR GASKET THE FIXING GRUB SCREW HAS LOOSENED WITH USE	DISASSEMBLE AND CLEAN OR REPLACE THE DEVIATOR TIGHTEN THE GRUB SCREW

**STANDING BATH-SHOWER MIXER CONNECTIONS FROM THE FLOOR(180MM)
INSTRUCTIONS:**



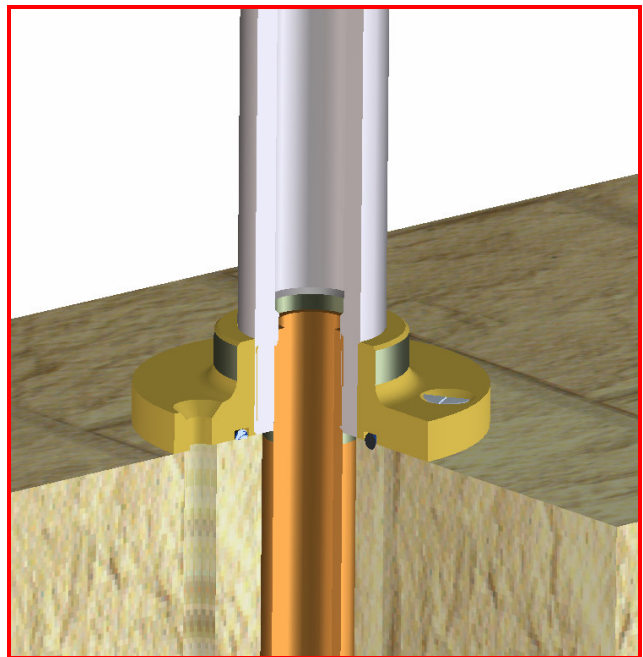
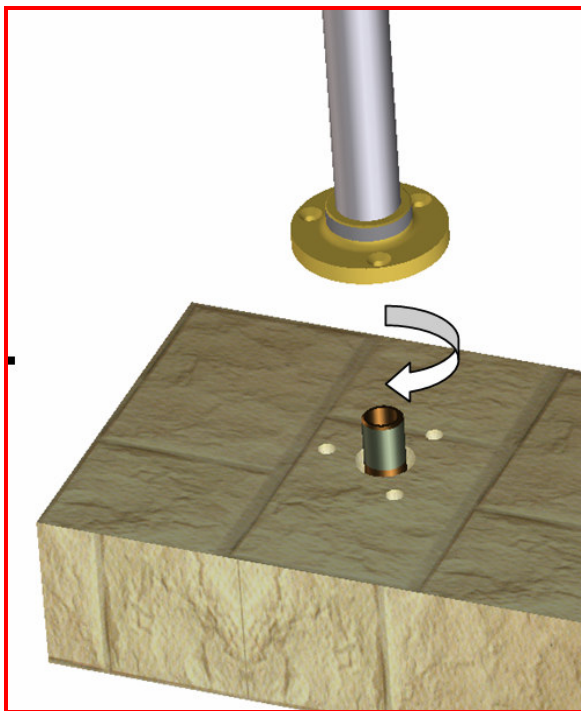
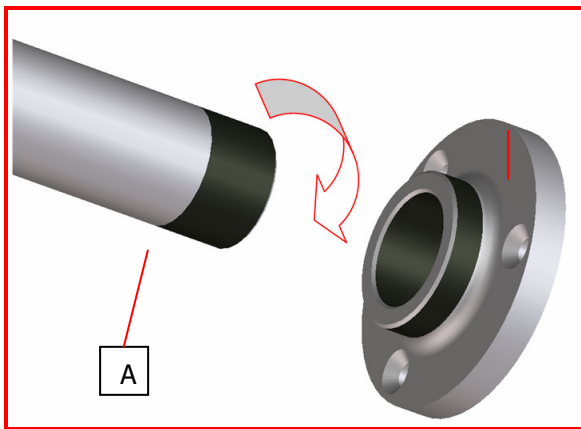
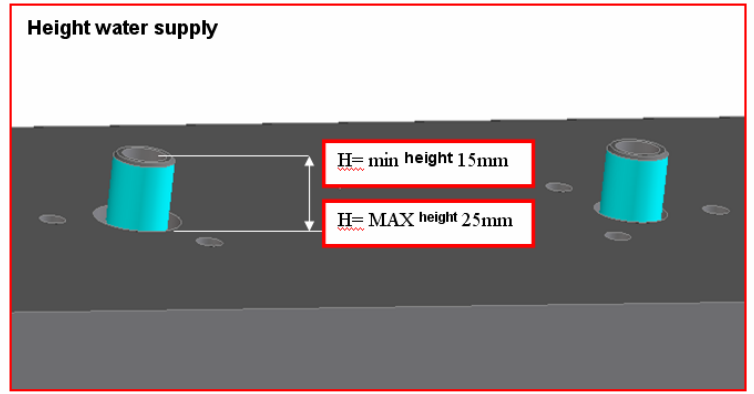
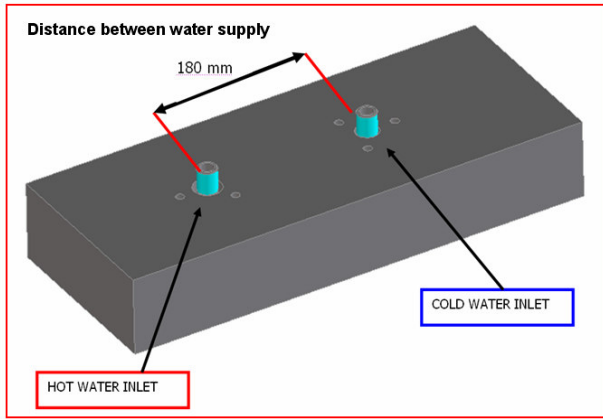
A_ Pair of standing connection on floor for Adams bath shower

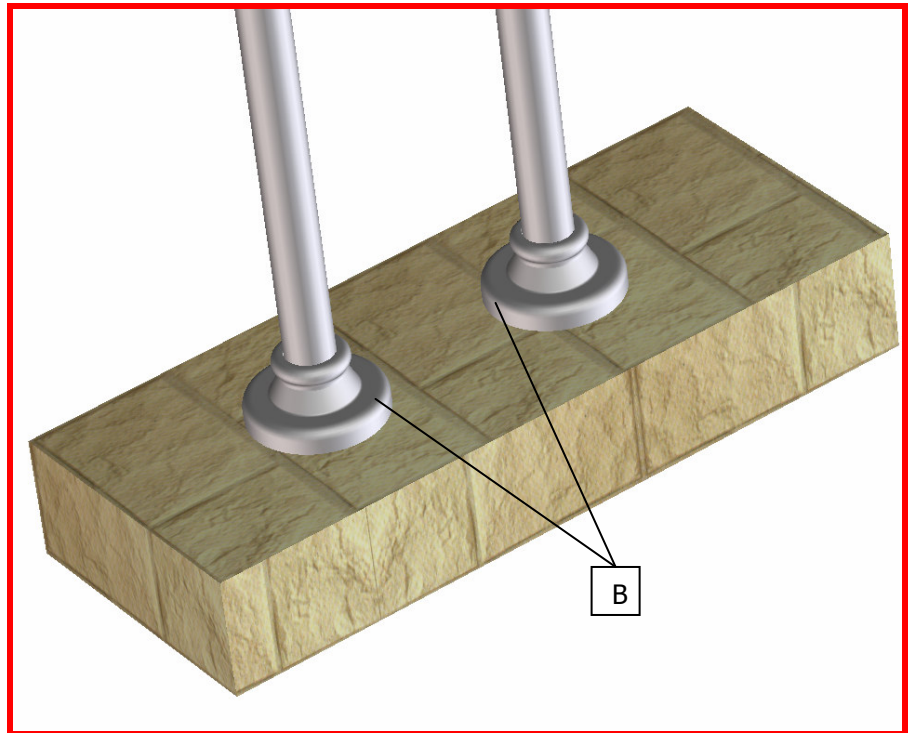
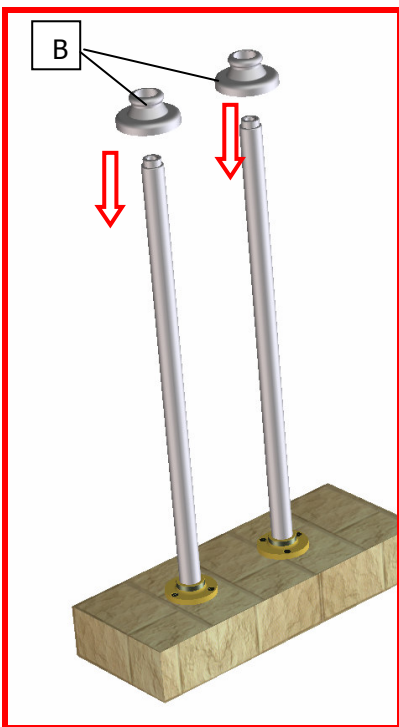
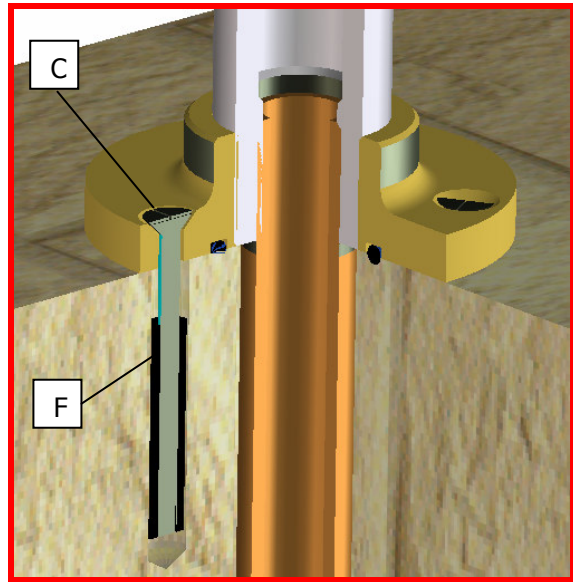
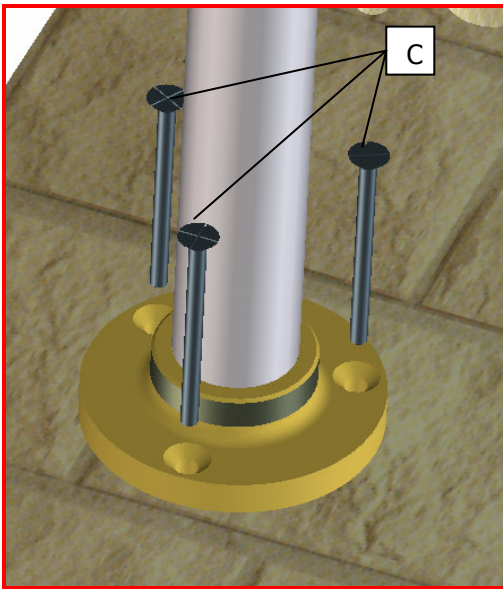
B_ Rose of cover lower support

C_ Screws fixed

D_ Support lower for standing connection

F_ Wall plugs





1 - MOUNT HOT WATER FEED PIPE ON THE LEFT AND COLD WATER ON THE RIGHT.

MAINTENANCE:

BEFORE PERFORMING MAINTENANCE OR CHECKING THE VALVE, REMEMBER TO SHUT-OFF THE WATER AND RELEASE THE INTERNAL PRESSURE BY OPENING THE FITTING:

- A - REMOVE THE PLATE, LOOSEN THE LOCKING GRUB SCREW AND REMOVE THE HANDLE (6)
- B - REMOVE THE CAP (7)
- C - CHECK OR REPLACE THE VALVE (8)
- D - FOLLOW THE INSTRUCTIONS IN REVERSE.

